

# VPort P16-1MP-M12 Series

EN 50155, HD image, rugged IP cameras



## Features and Benefits

- 1/2.7" progressive scan camera with maximum 1280 x 800 resolution at up to 30 fps
- Built-in light sensor for day & night images
- High quality video imaging with DNR and WDR
- Up to 3 H.264 or MJPEG independent video streams
- DynaStream™ for optimized network efficiency
- CBR Pro™ for high image quality in limited bandwidth transmissions
- Supports DHCP options 66 and 67 for auto-configuration
- ONVIF support for standardization and interoperability

## Certifications



## Introduction

The rugged VPort P16-1MP-M12 cameras provide an HD (720P, 1280 x 720) video image, and feature 3 H.264/MJPEG video streams, giving them the versatility and ruggedness to excel in many different installations and environments for mobile IP video surveillance applications. In addition, the cameras are compliant with mandatory sections of EN 50155,<sup>1</sup> covering operating temperature, power input voltage, surge, ESD, and vibration, as well as conformal coating and power insulation, making them suitable for a variety of industrial applications, and feature vandal-proofing (EN 62262 IK10), a -25 to 55°C or -40 to 70°C (T models) operating temperature, a rugged M12 Ethernet port, PoE power inputs, IP66 rain and dust protection, and day & night image capability.

## Specifications

### Ethernet Interface

PoE Ports (10/100BaseT(X), M12 D-coded 4-pin female connector)	1
----------------------------------------------------------------	---

### Ethernet Software Features

Protocols	TCP/IP, IPv4, UDP, HTTP, RTP/RTSP, ARP, UPnP, FTP, TFTP, SMTP, NTP Client, DNS, DDNS, QoS, IGMP v3, ICMP, SNMPv1/v2c/v3, DHCP Opt66/67, HTTPS
-----------	-----------------------------------------------------------------------------------------------------------------------------------------------

### Security Functions

Password	User-level password protection
----------	--------------------------------

Filter	IP address
--------	------------

Encryption	HTTPS
------------	-------

### Power Parameters

No. of Power Inputs	1
---------------------	---

Source of Input Power	PoE (IEEE 802.3af)
-----------------------	--------------------

Input Current	0.35 A @ 48 VDC
---------------	-----------------

1. This product is suitable for rolling stock railway applications, as defined by the EN 50155 standard. For a more detailed statement, refer to: [www.moxa.com/doc/specs/EN\\_50155\\_Compliance.pdf](http://www.moxa.com/doc/specs/EN_50155_Compliance.pdf)

## Camera Characteristics

Sensor	1/2.7-in HD progressive scan CMOS
Lens	VPort P16-1MP-M12-CAM36 Series: f=3.6mm, F1.6, Diagonal 99°, Horizontal 94°, Vertical 47° VPort P16-1MP-M12-CAM80 Series: f=8.0mm, F1.6, Diagonal 45°, Horizontal 40°, Vertical 22°
Minimum Illumination	Color: 0.2 lux, at F1.2 (Gain High, 50 IRE, 1/30 sec) B/W: 0.05 lux, at F1.2 (Gain High, 50 IRE, 1/30 sec)
Camera Angle	Pan 350°, Tilt 65° (controlled manually)
Day & Night	Auto/Color/BW; ICR control
ICR Control	Auto
Synchronization	Internal
White Balance	ATW/AWB
Electronic Shutter	Auto, Fixed (1/30 to 1/25000 sec)
S/N Ratio	Maximum 50 dB (AGC off; DNR on)
DNR (digital noise reduction)	Built-in 2D/3D DNR
WDR (wide dynamic range)	110 dB
Flickerless Control	Automatic, 50 Hz, 60 Hz modes
Image Rotation	Flip, Mirror, and 180° rotation
Image Setting	Manual tuning with saturation, sharpness, and contrast
AGC (auto gain control)	2X, 4X, 8X, 16X, 32X, 64X
BLC (back light compensation)	High/Medium/Low
<b>Video Interface</b>	
Video Compression	H.264 (ISO/IEC 14496-10) or MJPEG
Video Output	via Ethernet
Video Streams	3 independent H.264 or MJPEG video streams

Video Resolution and FPS (frames per second)		NTSC		PAL	
		Size	Max. FPS	Size	Max. FPS
	QCIF	176 x 112	30	176 x 144	25
	QVGA	320 x 240	30	320 x 240	25
	CIF	352 x 240	30	352 x 288	25
	VGA	640 x 480	30	640 x 480	25
	4CIF	704 x 480	30	704 x 576	25
	Full D1	720 x 480	30	720 x 576	25
	SVGA	800 x 600	30	800 x 600	25
	HD	1280 x 720	30	1280 x 720	25
WXGA	1280 x 800	30	1280 x 800	25	
Video Viewing	DynaStream™ support for changing the video frame rate automatically CBR Pro™ for good image quality in limited bandwidth transmissions 3 privacy mask areas provided Adjustable image size and quality Timestamp and text overlay OSD (On Screen Display) position adjustable Maximum of 5 simultaneous unicast connections, 50 multicast clients				
<b>Camera Software Development</b>					
VPort SDK PLUS	Includes CGI commands, ActiveX Control, and API library for customized applications or system integration for third-party developers				
Video Standards	ONVIF Profile S				
<b>Camera Alarm Software Features</b>					
Intelligent Video	Camera tampering detection				
Video Motion Detection	3 independently configurable areas				
Scheduling	Daily repeat timing schedule				
Imaging	JPEG snapshots for pre/trigger/post alarm images				
Custom Alarms	HTTP event servers for setting customized alarm actions				
Email/FTP Messaging	Automatic transfer of stored images via email or FTP as event-triggered actions				
Pre-Alarm Buffer	12 MB video buffer for JPEG snapshot images				
<b>Software Requirements</b>					
Memory Size	1 GB				
Operating System	Windows 7 or above				
Browser	Internet Explorer 9.x or above				
Multimedia	DirectX 9.0C or above				
<b>Physical Characteristics</b>					
Housing	IP66 rain and dust protection Metal housing, PC dome cover IK10 vandal resistant protection				
Dimensions	125 x 125 x 120.7 mm (4.92 x 4.92 x 4.8 in)				

Weight	810 g (1.79 lb)
Installation	Panel mounting
Protection	-CT models: PCB conformal coating

#### Environmental Limits

Operating Temperature	Standard Models: -25 to 55°C (-13 to 131°F) Wide Temp. Models: -40 to 70°C (-40 to 158°F)
Storage Temperature (package included)	-40 to 85°C (-40 to 185°F)
Ambient Relative Humidity	5 to 95% (non-condensing)
Ingress Protection	IEC 60529, IP66
Salt Spray Test	ASTM-B117
Vandal Resistance	EN 62262, IK10
Altitude	2000 m

#### Standards and Certifications

EMI	CISPR 32, FCC Part 15B Class A
EMS	IEC 61000-4-2 ESD: Contact: 6 kV; Air: 8 kV IEC 61000-4-3 RS: 80 MHz to 1 GHz: 20 V/m IEC 61000-4-4 EFT: Power: 2 kV; Signal: 2 kV IEC 61000-4-5 Surge: Power: 2 kV; Signal: 1 kV IEC 61000-4-6 CS: 10 V IEC 61000-4-8 PFMF
Freefall	IEC 60068-2-31
Railway Fire Protection	EN 45545-2
Safety	UL 60950-1
Shock	IEC 60068-2-27, IEC 61373, EN 50155
Vibration	IEC 60068-2-64, IEC 61373, EN 50155
Railway	EN 50155 (complies with a portion of EN 50155 specifications)

#### MTBF

Time	1,598,728 hrs
Standards	Telcordia SR332

#### Warranty

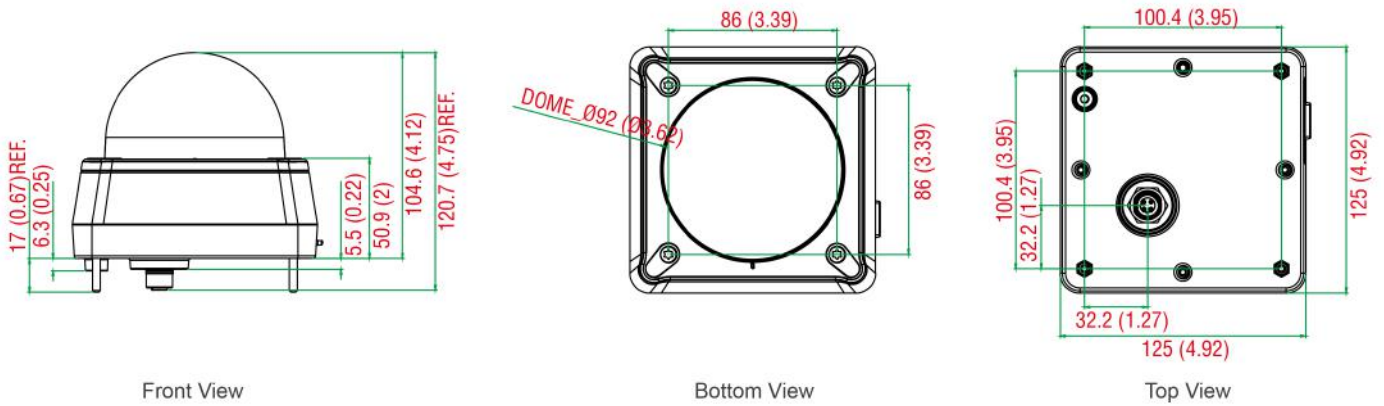
Warranty Period	5 years Note: Limited warranty on moving parts; see Moxa's online warranty policy for details.
Details	See <a href="http://www.moxa.com/warranty">www.moxa.com/warranty</a>

#### Package Contents

Device	1 x VPort P16-1MP-M12 Series camera
Installation Kit	1 x sticker 1 x L-type Torx screwdriver 4 x indented hexagonal head tapping screws, nuts, gaskets, and spring washers
Documentation	1 x document and software CD 1 x quick installation guide 1 x warranty card

## Dimensions

Unit: mm (inch)



## Ordering Information

Model Name	Lens	Operating Temp.	Conformal Coating
VPort P16-1MP-M12-CAM36	3.6 mm	-25 to 55°C	-
VPort P16-1MP-M12-CAM80	8.0 mm	-25 to 55°C	-
VPort P16-1MP-M12-CAM36-T	3.6 mm	-40 to 70°C	-
VPort P16-1MP-M12-CAM80-T	8.0 mm	-40 to 70°C	-
VPort P16-1MP-M12-CAM36-CT	3.6 mm	-25 to 55°C	✓
VPort P16-1MP-M12-CAM80-CT	8.0 mm	-25 to 55°C	✓
VPort P16-1MP-M12-CAM36-CT-T	3.6 mm	-40 to 70°C	✓
VPort P16-1MP-M12-CAM80-CT-T	8.0 mm	-40 to 70°C	✓

## Accessories (sold separately)

### Camera Mounting Kits

VP-FMK1	Flush-mounting kit for the VPort P16
---------	--------------------------------------

© Moxa Inc. All rights reserved. Updated Nov 12, 2018.

This document and any portion thereof may not be reproduced or used in any manner whatsoever without the express written permission of Moxa Inc. Product specifications subject to change without notice. Visit our website for the most up-to-date product information.